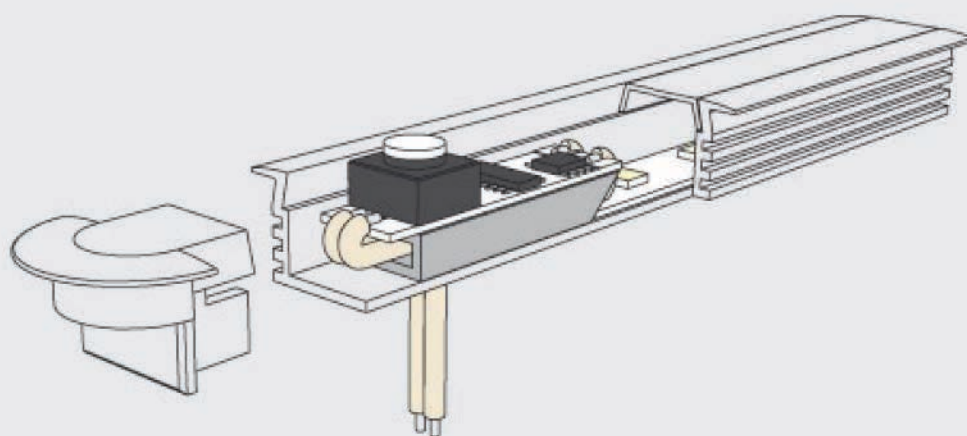
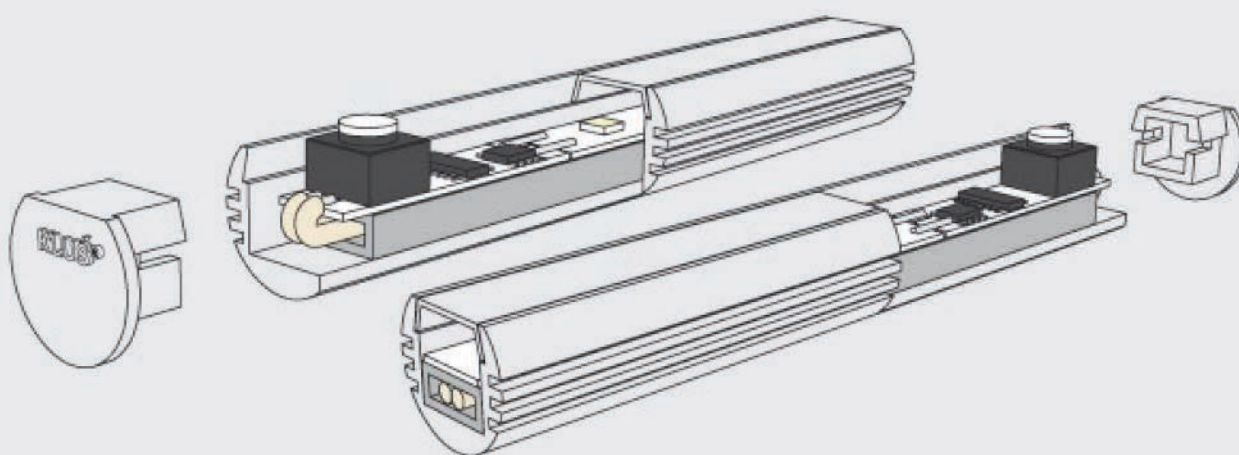
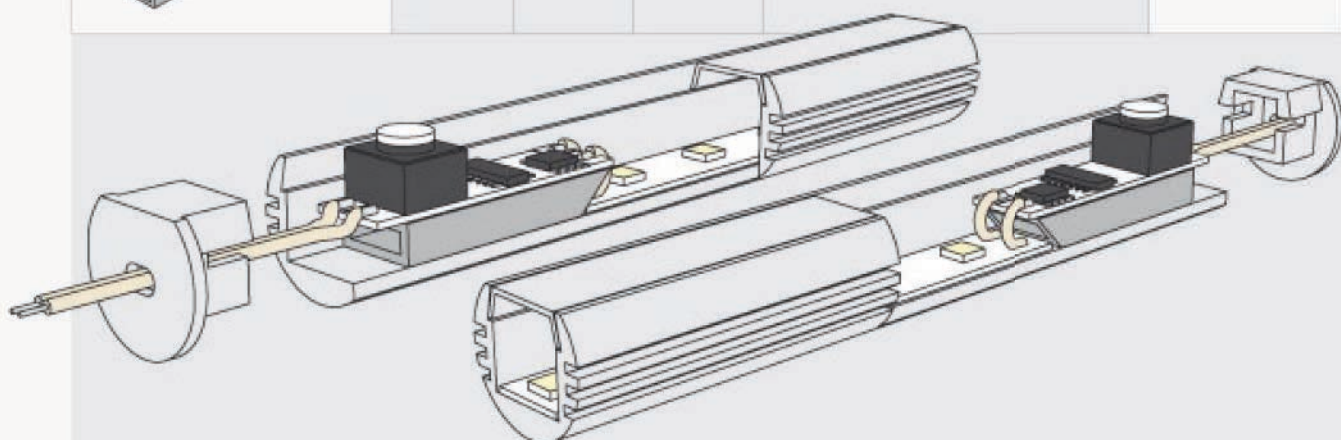
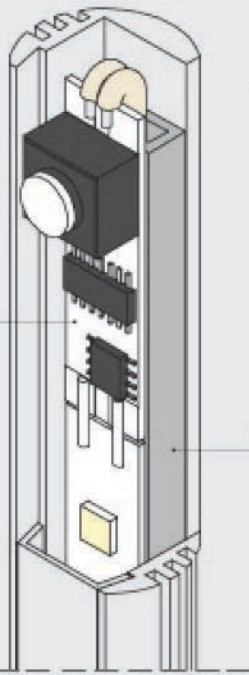
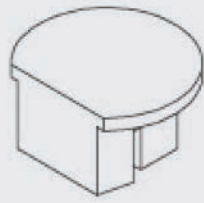


MICRO switch	voltage	recommended electrical load	article number	
	DC 12V / DC 24V	4A (48 W) / 12V 4A (98 W) / 24V	1576	
MICRO switch with cable	voltage	recommended electrical load	cable length	article number
	DC 12V / DC 24V	4A (48 W) / 12V 4A (98 W) / 24V	1,5 m (590.55")	1491
MW End Caps			article number	
		MICRO MW end cap with hole	00024	
		MICRO - K MW end cap	00025	
		PDS 4 - ALU MW end cap	00026	
		PDS 4 - ALU MW end cap with hole	00027	
		PDS - O MW end cap	00028	
		PDS - O MW end cap with hole	00029	
		45 - ALU MW end cap	00030	
		45 - ALU MW end cap with hole	00031	
		PDS 4 - K MW end cap	00032	

MW base 11x5	length	width	height	surface finishing	article number
	33 mm (1.29")	11 mm (0.43")	5 mm (0.19")	raw - aluminum	00035
MW Base 11x5 for LED	length	width	height	surface finishing	article number
	1m (393.7") 2m (787.4")	11 mm (0.43")	5 mm (0.19")	raw - aluminum	00036





1576

MICRO switch

00036

MW Base 11x5 for LED

