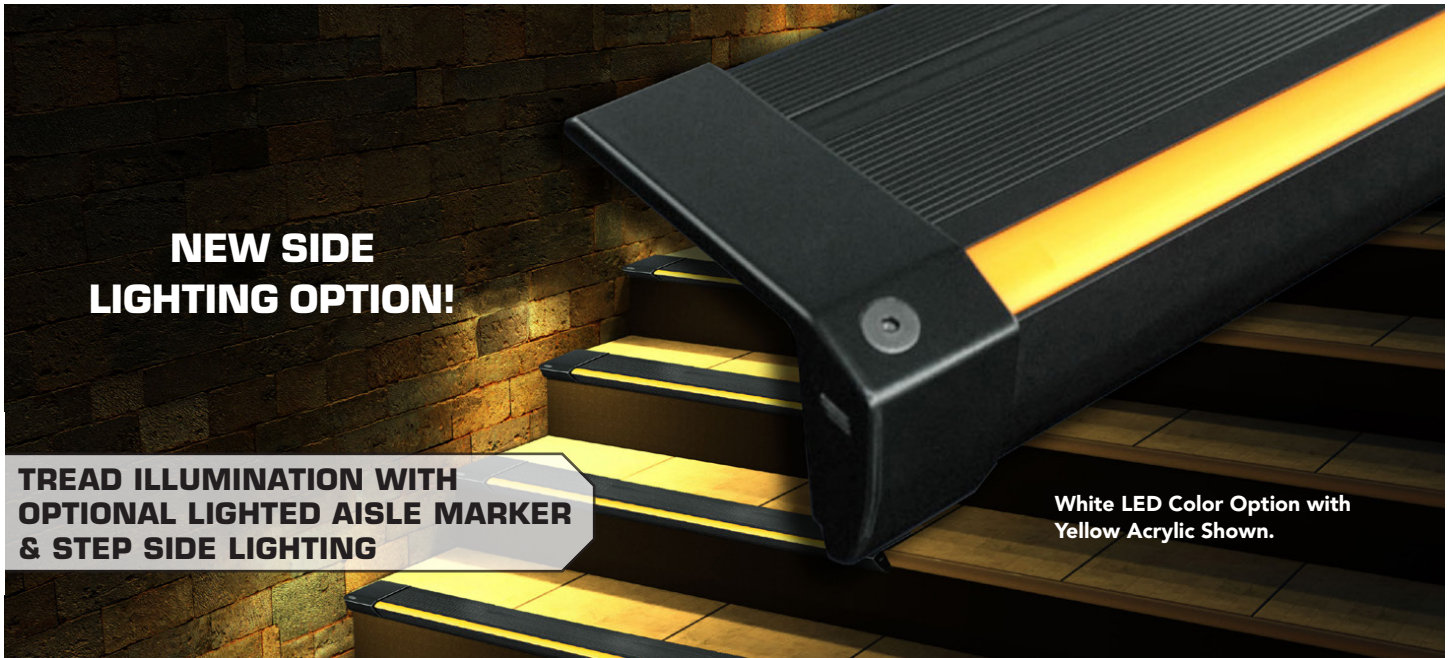


# XTRU-4810

## Topline Series | LED STEP LIGHTING

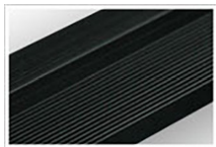


**NEW SIDE  
LIGHTING OPTION!**

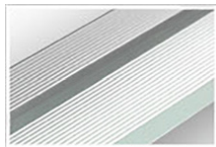
**TREAD ILLUMINATION WITH  
OPTIONAL LIGHTED AISLE MARKER  
& STEP SIDE LIGHTING**

White LED Color Option with  
Yellow Acrylic Shown.

Impact Lighting's **XTRU-4810** Topline Series Step Lighting is an aluminum stair profile with LED **tread illumination** with single or RGB color options. Perfect for theater applications this profile also offers optional lighted aisle marker with a number, letter or symbol. The profile comes in either black or aluminum finishes.



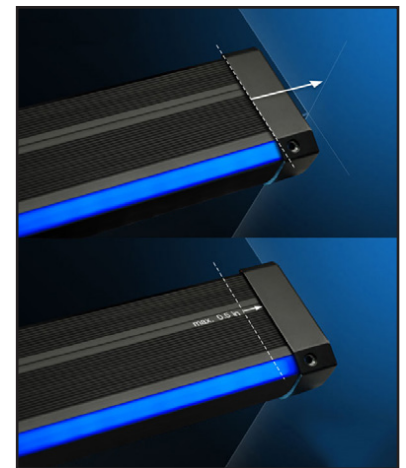
(black finish)



(aluminium finish)

### **XTRU-4810** Topline Series

Aluminum LED lighted stair profile with optional aisle marker and step side lighting.



(Adjustable Endcaps up to 1.5mm/1/2")



(optional aisle marker)



(optional step side lighting)

### **KEY FEATURES:**

- ▶ Fix finished edge of step with screws or an adhesive
- ▶ Can be installed on carpeted steps
- ▶ Anti-Slip Surface
- ▶ Adjustable end caps
- ▶ No visible LED points
- ▶ Optional lighted number, letter or symbol aisle marker
- ▶ **NEW** Step side lighting option
- ▶ Custom cut to length (max 2 meters / 78 inches)
- ▶ Profile allows running of wires without surface milling

### **X-LUME**

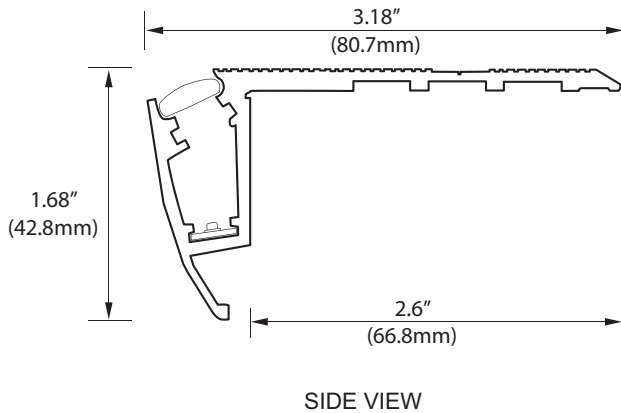
A DIVISION OF IMPACT LIGHTING INC.

### LED STEP LIGHTING WITH SIDE LIGHTING OPTION



**XTRU-4810**  
Topline Series

Aluminum LED lighted stair profile with optional aisle marking. (yellow tread cover with white LED shown)

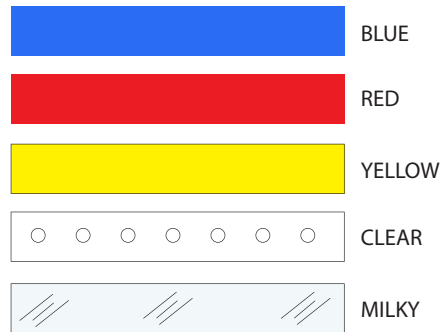


Impact Lighting's **XTRU-4810** Topline Series Step Lighting is an aluminum stair profile with LED tread illumination with single or RGB color options. Perfect for theater applications this profile offers an optional lighted aisle marker with number, letter or symbol. The profile comes in black or aluminum finishes.

#### KEY FEATURES

- Fix finished edge of step with screws or an adhesive
- Can be installed on carpeted steps
- Anti-Slip Surface
- Adjustable end caps
- No visible LED points
- Optional lighted number, letter or symbol aisle marker.
- Custom cut to Length (max 2 meters / 78 inches)
- Profile allows running of wires without surface milling

#### TREAD COVER COLOR



**ORDERING** Example: XTRU-4810-24"-BLK-BL-WH-L-B = XTRU-4810 Profile 24", black finish, blue tread cover, white tread LED, left endcap, letter B marker

MODEL	CUT LENGTH	HOUSING FINISH	TREAD COVER COLOR *	TREAD LED COLOR	ENDCAPS	OPTIONAL MARKER
<b>XTRU-4810</b>	<input type="text"/>	<input type="text"/>	<input type="text"/>	<input type="text"/>	<input type="text"/>	<input type="text"/>
Aluminum LED Lighted Stair Profile	Write desired length above (0.15M - 2M) (6" - 78.5")	<b>AL</b> - Aluminum Finish <b>BLK</b> - Black Finish	<b>BL</b> - Blue Acrylic <b>RED</b> - Red Acrylic <b>YE</b> - Yellow Acrylic <b>CL</b> - Clear Acrylic <b>MK</b> - Milky White Acrylic	<b>WH</b> - White <b>RGB</b> - Red Green Blue *  *requires controller	<b>L</b> - Left Endcap <b>R</b> - Right Endcap <b>B</b> - Left and Right Endcaps <b>C</b> - Corner Caps (allow for side and face extrusions to connect seamlessly without mitering)	<b>N</b> - NONE "_____" - Write number, letter or symbol above

\* When choosing a colored acrylic riser White LED is suggested

### X-LUME

A DIVISION OF IMPACT LIGHTING INC.

2101 West Central Blvd. Orlando, Florida 32805 USA • Phone: 1.800.507.5714 • Email: sales@impactlightinginc.com

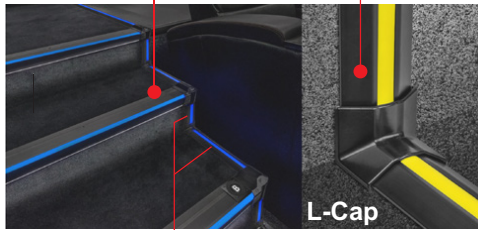
[www.xlumeled.com](http://www.xlumeled.com)

### LED STEP SIDE LIGHTING



**XTRU-4810**  
(topline series)

**XTRU-4810-SL**  
(sideline series)



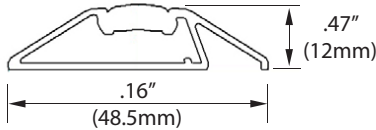
**L-Cap**

Impact Lighting's **XTRU-4810-SL** Series Side Step Lighting is an additional compliment to the XTRU-4810 aluminum step profiles. LED step side illumination adds that extra safety and wow factor with single or RGB color options. Perfect for theater applications, these side profiles offers a cross line cable management system that overrides wiring obstacles.

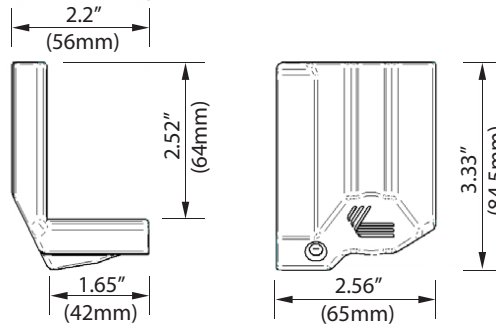
#### KEY FEATURES

- Fix finished edge of step with screws or an adhesive
- Can be installed on carpeted steps
- Adjustable end caps
- No visible LED points
- Custom cut to Length (max 2 meters / 78 inches)
- Profile allows running of wires without surface milling

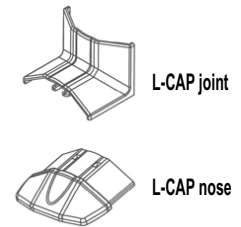
#### TREAD COVER COLOR



**SIDELINE COVER**



**SIDELINE TRI-CAP**



**SIDELINE L-CAPS**

**ORDERING** Example: XTRU-4810-2-12\"/>

MODEL	CUT LENGTHS	HOUSING FINISH	TREAD COVER COLOR *	TREAD LED COLOR	Tri-CAPS	L-CAPS
<b>XTRU-4810-SL</b>	<input type="text"/>	<input type="text"/>	<input type="text"/>	<input type="text"/>	<input type="text"/>	<input type="text"/>
Aluminum LED Lighted Side Stair Profile	Write desired cut lengths above (0.15M - 2M) (6" - 78.5") eg: 2 - 12" / 2 - 7"	<b>AL</b> - Aluminum Finish <b>BLK</b> - Black Finish	<b>BL</b> - Blue Acrylic <b>RED</b> - Red Acrylic <b>YE</b> - Yellow Acrylic <b>CL</b> - Clear Acrylic <b>MK</b> - Milky White Acrylic	<b>WH</b> - White <b>RGB</b> - Red Green Blue *  *requires controller	<b>TCR</b> - Tri-Cap Right <b>TCL</b> - Tri-Cap Left <b>LRTC</b> - Left & Right Tri-Caps	<b>LCJ</b> - L-Cap joint <b>LCN</b> - L-Cap-nose
* When choosing a colored acrylic riser White LED is suggested						

#### X-LUME

A DIVISION OF IMPACT LIGHTING INC.

2101 West Central Blvd. Orlando, Florida 32805 USA • Phone: 1.800.507.5714 • Email: sales@impactlightinginc.com

[www.xlumeled.com](http://www.xlumeled.com)